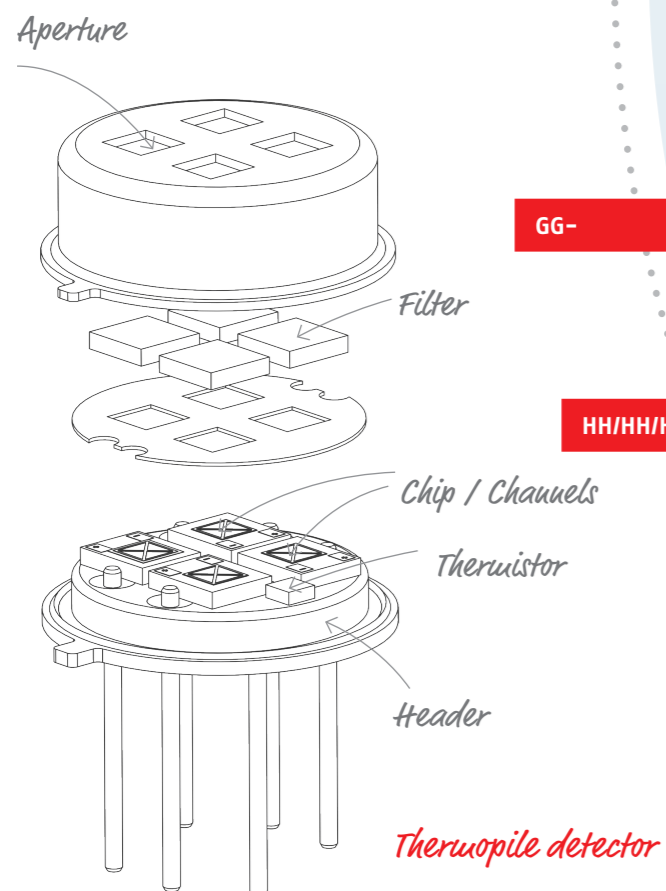


Micro-Hybrid Numerical code

Thermopile detectors

With this numerical code you can easily choose the right combination of detector parts according to your applications demands.

➤ For Example
TS4x200B-A-S1.5-1-N2-C1/F1/G1/D1



- AA** TS4x200B...
Thermoelectric sensor
- Bx** TS4x200B...
Channel 1-4
- CCCC-** TS4x200B-...
Chip 80B, 200B, Q200B
- D-** TS4x200B-A...
Header A - T0 39
B - T0 46
- EEEE-** TS4x200B-A-S1.5-1-N2-C1/F1/G1/D1
Aperture
S1.5 - Square 1.5 x 1.5 mm²
D2. - Diameter 2.4 mm²
D3.55 - Diameter 3.55 mm²
- F-** TS4x200B-A-S1.5-1-N2-C1/F1/G1/D1
Thermistor
0 - None
1 - PTC Ni1000
2 - NTC 30k
3 - NTC 100k
4 - TRS-Si 1K 0.5%
- GG-** TS4x200B-A-S1.5-1-N2-C1/F1/G1/D1
Filling gas
Kr - Krypton
N₂ - Nitrogen
Other filling gases on customers request.
- HH/HH/HH/HH-** TS4x200B-A-S1.5-1-N2-C1/F1/G1/D1
Filter
D1 - Reference (4000 - 80 nm)
E1 - CO₂ (4265 - 120 nm)
F1 - CO (4650 - 180 nm) ...
Other filter on customers request.
- III** Extended temperature range
190 - max. 190 °C; only available with
two channel and sensor chip 80B
Unspecified; max. 85 °C



Thermopile detectors product range

Type	Channels	Responsivity [V/W]	D* [cmHz ^{1/2} /W]	Aperture [mm ²]	Operation temp. [°C]	Housing	Application
TS1 x 200B-A-D3.55	1	100	3.6 x 10 ⁸	3.55 dia	-20 ... +70	T039	NDIR gas analysis
TS1 x 200B-B-D2.4	1	100	3.6 x 10 ⁸	2.4 dia	-20 ... +70	T046	NDIR gas analysis
TS1 x 80B-A-D0.75- ... -190	1	295	7.2 x 10 ⁸	0.75 dia	-20 ... +190	T039	NDIR gas analysis/ Temp. measurement
TS2 x 200B-A-S1.5	2	100	3.6 x 10 ⁸	1.5 x 1.5	-20 ... +70	T039	NDIR gas analysis
TS4 x 200B-A-S1.5	4	100	3.6 x 10 ⁸	1.5 x 1.5	-20 ... +70	T039	NDIR gas analysis
TS4 x Q200B-A-S1.5	4	80	2.95 x 10 ⁸	1.5 x 1.5	-20 ... +70	T039	NDIR gas analysis

For more information contact our sales team by Email to infrared@micro-hybrid.de or call +49 36601 592-0